

DESIGN

Body	Flangeless wafer type
End Connection	EN 1092 PN 6, 10 and 16 ASME B16.5 cl. 150 / B16.47 cl. 150 MSS SP 44 cl. 150
Face to Face	API 609 Cat. B
Disc Seat	Replaceable
Shaft Seal Design	
Driving Shaft	Stuffing box
Special Design Options	With indicator for position of the disc

TESTING PROCEDURES

Shell strength test	EN 12266-1, P10 DIN 3230, Part 3 API 598
Shell tightness test	EN 12266-1, P11 API 598
Seat tightness test	EN 12266-1, P12, Rate A/B ISO 5208, Rate A/B API 598
Operability test	EN 12266-2, F20 DIN 3230, Part 3 API 598

OPTIONS

Anti Static Design	In accordance with EN 736/3 and API 609
--------------------	---

FUNCTIONAL CHARACTERISTICS

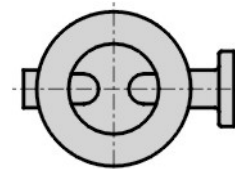
Application	On/off
Design pressure PS	Maximum 20 bar
Design temp. TS	-40°C (-40°F) to +200° (392°F)
Flow velocity	5 m/s for liquids, 50 m/s for gases
Seat tightness rate	Bi-directional - ISO 5208 rate A (soft seated)

MARKING & CERTIFICATION

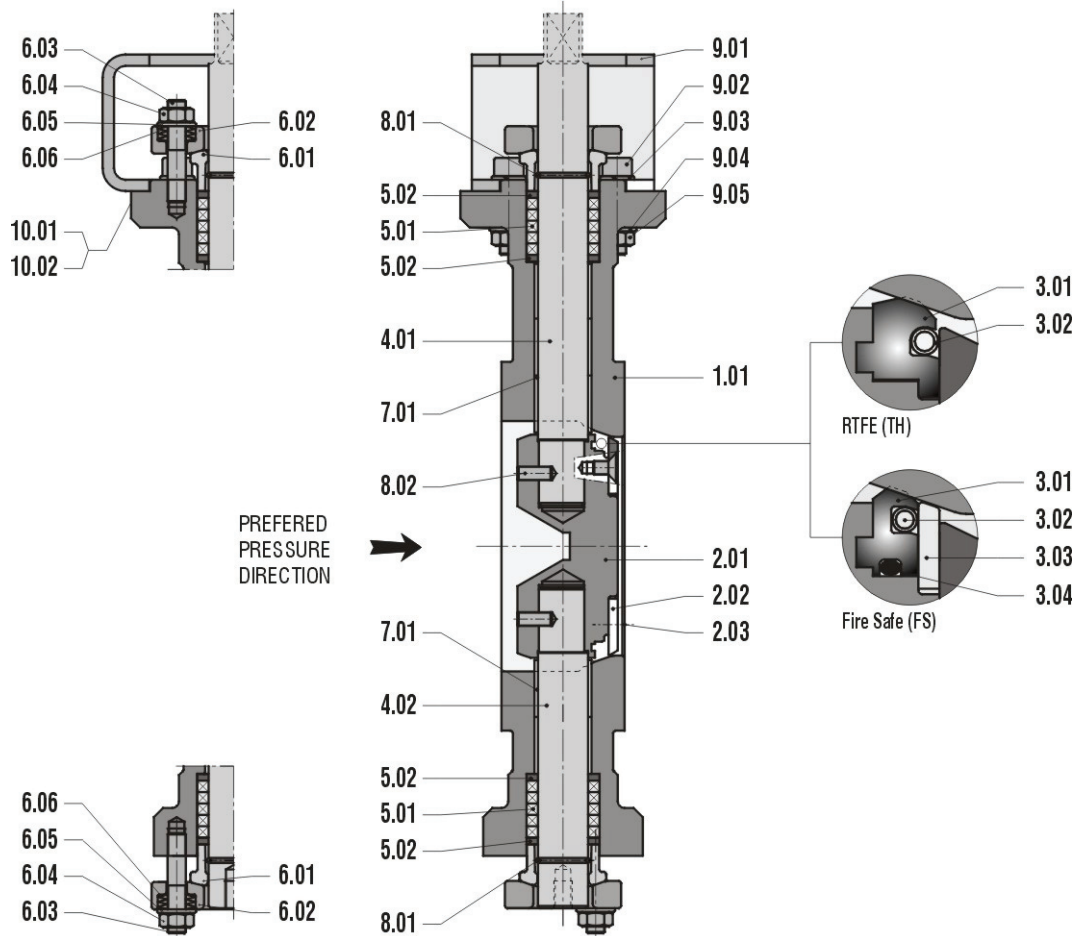
Marking	EN 19, MSS SP 55
Certification	EN 10204 - 2.2, 3.1, 3.2
PED	Categorie III

**PRODUCT DATA**

General Description	BUTTERFLY VALVE - High Performance double excentric
Design Code	EN 593
Size Range	DN 80 - 300, NPS 3" - 12"
Maximum Pressure	20 bar

PREFERRED POSITION WHEN INSTALLED IN HORIZONTAL PIPELINE

PARTS LIST - DYNAXE W201 - 50-900 (2"-36")



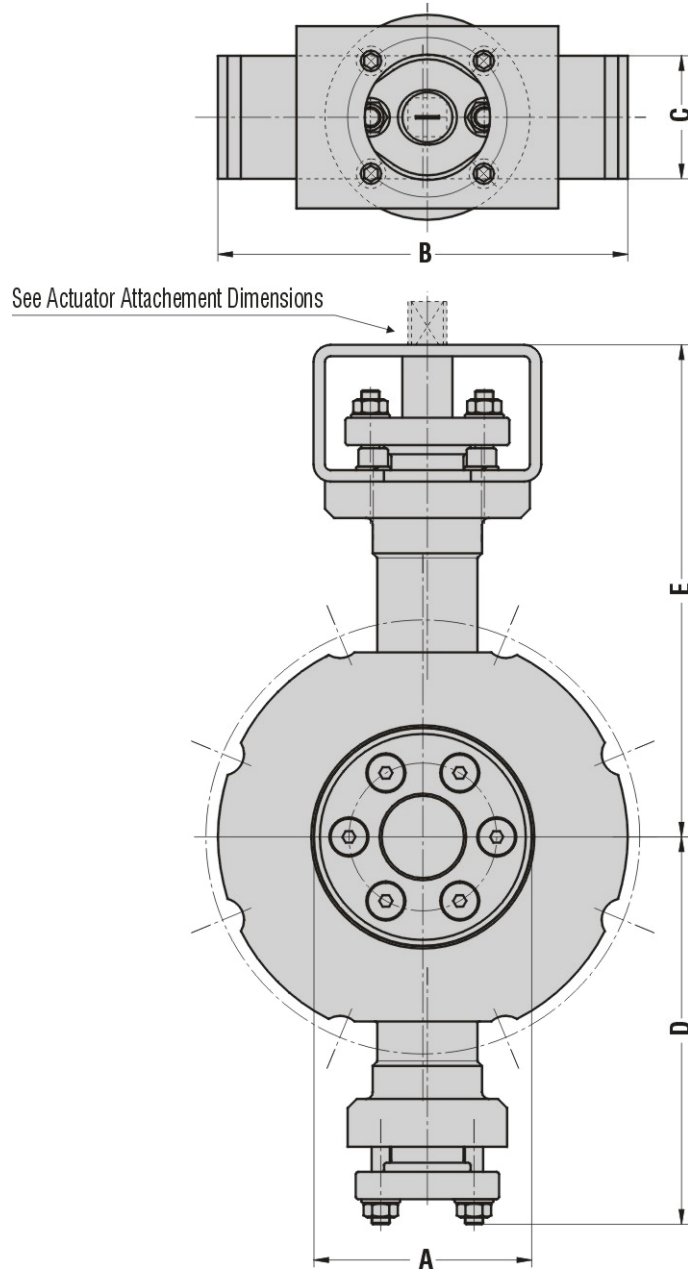
ITEM	DESCRIPTION	MATERIAL ⁽¹⁾	EN/DIN	COMPARABLE ASTM
1.01	Body	Titanium Gr. 2	3.7035, Ti 2	B 381, F2
1.02	Body seat	Titanium Gr. 2	3.7035, Ti 2	-
2.01	Disc	Titanium Gr. 2	3.7035, Ti 2	B 381, F2
2.02	Retaining ring	Titanium Gr. 2	3.7035, Ti 2	B 265, 2
3.01	Disc seat ring (TH)	RTFE 15-12-3	-	-
3.02	Helix coil	Elgiloy		
4.01	Upper shaft	Titanium Gr. 2	3.7035, Ti 2	B 348, 2
4.02	Lower shaft	See ITEM 4.01	See ITEM 4.01	See ITEM 4.01
5.01	Packing ring	Graphite (>99.85%)		
5.02	Taper ring	Titanium Gr. 2	3.7035, Ti 2	B 265, 2
6.01	Packing gland	Austenitic SS	1.4408, EN 10213	A 351, CF8M
6.02	Gland flange	Austenitic SS	1.4408, EN 10213	A 351, CF8M
6.03	Stud bolt	Stainless Steel - A4/70		
6.04	Hex. nut	Stainless Steel - A4/70		
6.05	Washer	Stainless Steel - A4		
6.06	Beveled washer	Stainless Steel		
7.01	Sliding bearing	Titanium Gr. 2 / Nitrided	3.7035, Ti 2	B 348, 2
8.01	Snap ring	Stainless Steel	1.4310	
8.02	Set screw	Titanium Gr. 2	3.7035, Ti 2	B 348, 2
9.01	Bracket	Austenitic SS	1.4401, EN 10088	A 182, F316
9.02	Screw	Stainless Steel - A4/70		
9.03	Washer	Stainless Steel - A4		
9.04	Spring lock washer	Stainless Steel - A4		
9.05	Hex. nut	Stainless Steel - A4/70		
10.01	Marking plate	Austenitic SS	1.4401, EN 10088	A 182, F316
10.02	Blind rivet	Stainless Steel - A4		

OPTIONAL DISC SEATS - DYNAXE W921 80-300 (3"-12")

RTFE Fire Safe Design (TF)

3.01	Disc seat ring	RTFE 15-12-3		
3.02	Helix coil	Elgiloy		
3.03	Fire safe seat ring	Titanium Gr. 2	3.7035, Ti 2	B 265, 2
3.04	O-ring	FPM		

DIMENSIONS – DYNAXE W921 – 80-300 (3"-12") ⁽¹⁾



DN	NPS	A	B	C	D	E	MASS ±kg
80	3"	71	133	48	146	202	
100	4"	96	158	54	170	216	
125	5"	150	210	57	196	247	
150	6"	197	264	64	240	301	
200	8"	251	325	71	279	334	
250	10"	301	366	81	311	359	
300	12"	71	133	48	146	202	

⁽¹⁾ Other sizes on request