

### PRODUCT DATA

General Description	<b>BUTTERFLY VALVE</b> - Centric rubber lining
Design Code	EN 593
Size Range	DN 50 - 300, NPS 2" - 12"
Maximum Pressure	16 bar



### DESIGN

Body	Flangeless wafer type with Centring Lugs
End Connection	EN 1092 PN 6/10/16 ASME B16.5 cl. 150
Face to Face	EN 558-1/2 Series 20 ISO 5752 Series 20
Disc Seat	Replacable
Shaft Seal Design	O-ring
Driving Shaft	With indicator for position of the disc
Special Design	Suitable for insulation
Options	

### TESTING PROCEDURES

Shell strength test	EN 12266-1, P10 DIN 3230, Part 3 API 598
Shell tightness test	EN 12266-1, P11 API 598
Seat tightness test	EN 12266-1, P12, Rate A ISO 5208, Rate A API 598
Operability test	EN 12266-2, F20 DIN 3230, Part 3 API 598

### FUNCTIONAL CHARACTERISTICS

Application	On/off
Design pressure PS	Maximum 16 bar
Design temp. TS	-20 °C (-4 °F) to +110 °C (230 °F)
Flow velocity	5 m/s for liquids, 50 m/s for gases
Seat tightness rate	Bi-directional - ISO 5208 rate A

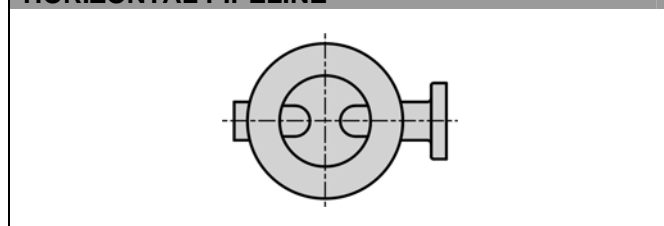
### OPTIONS

Anti Static Design	In accordance with EN 736/3 and API 609
--------------------	---

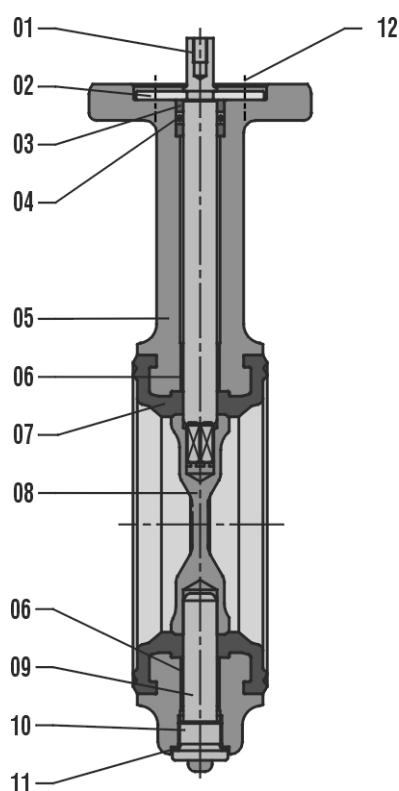
### MARKING & CERTIFICATION

Marking	EN 19, MSS SP 25
Certification	EN 10204 - 2.2

### PREFERRED POSITION WHEN INSTALLED IN HORIZONTAL PIPELINE



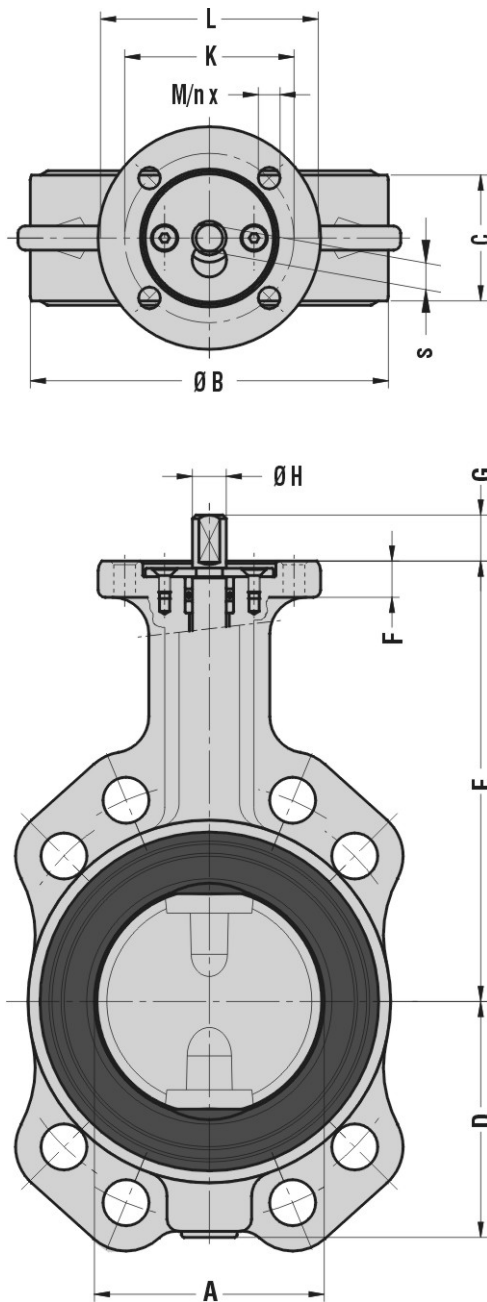
**PARTS LIST – Euronomic BA 50-300 (2"-12")**



ITEM	DESCRIPTION	MATERIAL <sup>(1)</sup>	EN/DIN	COMPARABLE ASTM
01	Shaft	Martensitic SS	1.4021, EN 10088	A 276, Grade 420
02	Plate	POM		
03	Bush	POM		
04	O-ring	EPDM		
05	Body	Cast Iron	JL 1040, EN 1561	A 126, Class B
06	Bearing	St. / PTFE Lining		
07	Liner	EPDM NBR		
08	Disc	Austenitic SS Carbon Steel / Ni plated	1.4408, EN 10213 1.0619, EN 10213	A 351, CF8M A 216, WCB
09	Shaft	See ITEM 01	See ITEM 01	See ITEM 01
10	Sealing ring	Cu		
11	Plug	St./Zn5C		
12	Screw	St./Zn5C		

<sup>(1)</sup> Other materials on request

**DIMENSIONS – Euronomic BA 50-300 (2"-12")**



DN	NPS	A	B	C	D	E	F	G	H	s	ISO 5211	K	L	M	n	MASS ±kg
50	2"	48	92	43	63	125	12	16	12	9	F05	50	67	7	4	2.5
65	2½"	62	115	46	76	150	12	16	12	9	F05	50	67	7	4	3
80	3"	76	130	46	83	157	12	16	12	9	F05	50	67	7	4	4
100	4"	95	148	52	96	182	15	19	14	11	F07	70	92	9	4	5
125	5"	120	181	56	113	201	15	25	18	14	F07	70	92	9	4	6
150	6"	145	206	56	126	214	15	25	18	14	F07	70	92	9	4	9
200	8"	195	261	60	155	245	18	30	22	17	F07	70	92	9	4	13
250	10"	245	316	68	195	283	20	39	28	22	F10	102	130	11	4	25
300	12"	295	372	78	220	308	20	39	28	22	F10	102	130	11	4	34