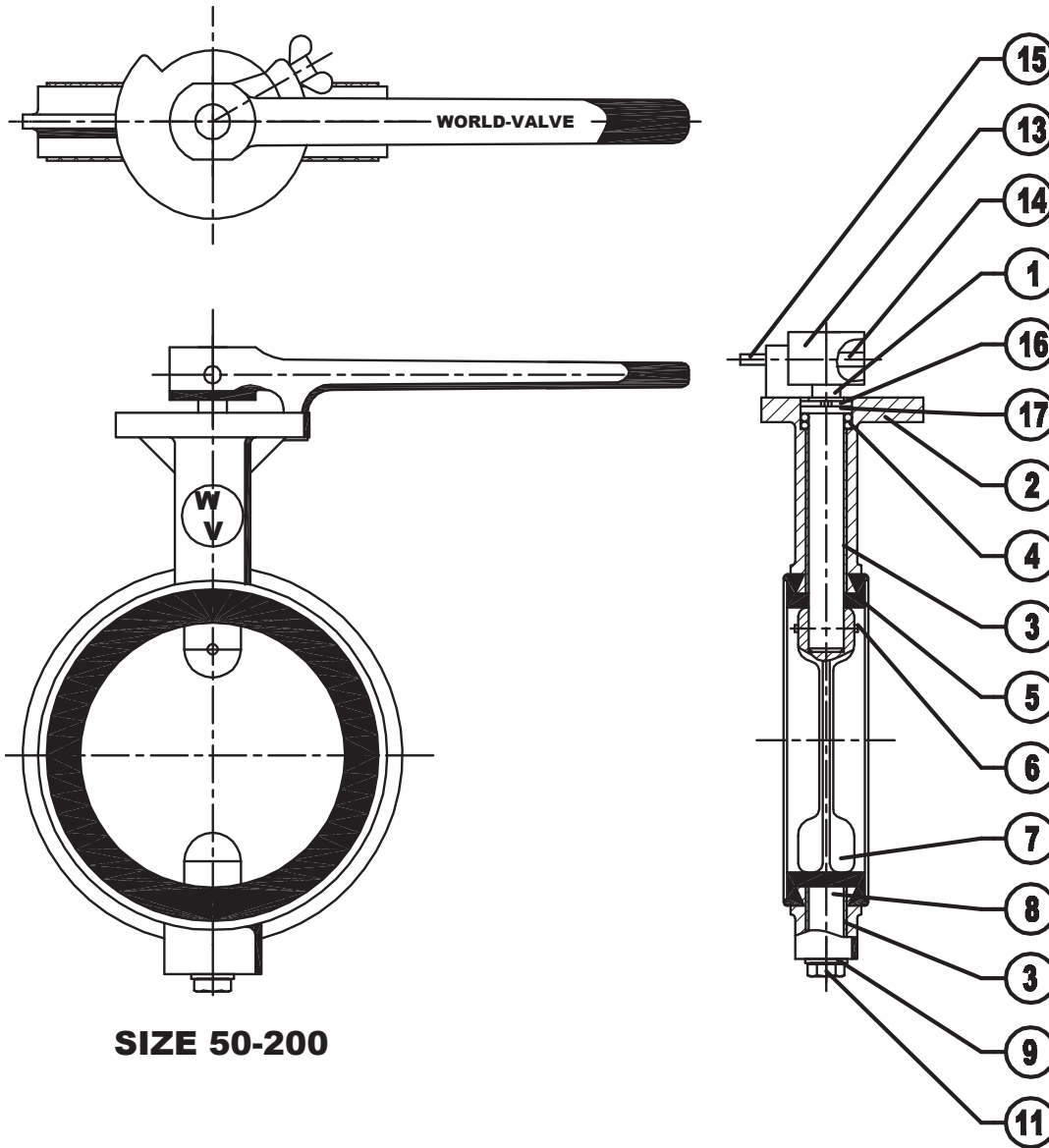


TB-70-1

WAFER TYPE



SIZE 50-200

1	AS	SHAFT	SPINDEL	HUSILLO
2	AFSLUITERHUIS	BODY	GEHÄUSE	CAJA
3	LAGERBUS	BEARING	LAGERBUCHSE	COJINETTE
4	O-RING	O-RING	O-RING	ANILLO-O
5	VOERING	LINER	FUTTER	MANQUITO
6	PEN	PIN	STIFT	CLAVIJA
7	KLEP	DISC	KLAPPENSCHIEBE	VALVULA
8	AS	SHAFT	SPINDEL	HUSILLO
9	PAKING	PACKING	PACKUNG	EMPAQUETADURA
11	BOUT	BOLT	SCHRAUBE	PERNO
13	HANDEL	HANDLEVER	HANDHEBEL	MANGO
14	SPANSTIFT	PIN	STIFT	CLAVIJA
15	STELBOUT	BOLT	SCHRAUBE	PERNO
16	BORGRING	LOCK WASHER	SICHERUNGSRING	ANILLO DE SOJECION
17	RING	RING	RING	ILAVE

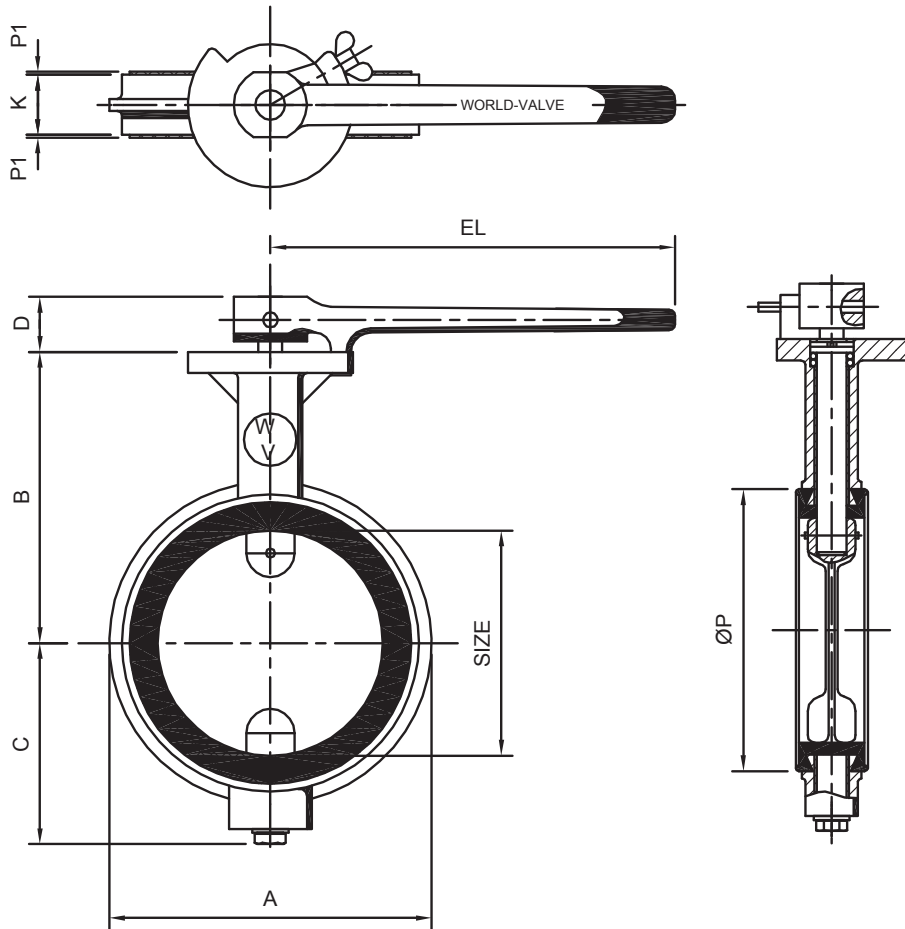
FLANGE CONNECTION
DIN-PN6/10
ANSI-CLASS-125/150
JIS-5/10K

FIGURE: MATERIAL COMBINATION			
TYPE	B	C	D
BODY	STANDARD DUCTILE-IRON GGG-40		
DISC	AL.BRONZE	AISI-316	AL.BRONZE
SHAFT	AISI-316	AISI-316	AL.BRONZE
PINS	STANDARD DUPLEX		
LINER	STANDARD BUNA-N OR EPDM		

FACE TO FACE DIMENSIONS ACCORDING **WORLD-VALVE STANDARD**

TB-70-1

WAFER TYPE



DIMENSIONS

SIZE mm	SIZE inch	A	B	C	D	EL	K	P1	P	Kg
50	2	105	128	70	37	200	35	1.5	85	3
65	2.5	125	136	80	37	200	35	1.5	100	3
80	3	140	144	88	37	200	35	1.5	115	4
100	4	160	154	98	37	200	35	1.5	135	4
125	5	190	184	114	37	300	40	2	165	6
150	6	215	194	124	37	300	40	2	190	7
200	8	270	229	180	37	300	50	2	240	11

K = FACE TO FACE ACC. WORLD-VALVE STANDARD

PRESSURE TABLE

STANDARD DELIVERY		
STANDARD WORKING/TESTPRESSURE		
SIZE mm	WP ΔP-BAR	TP ΔP-BAR
50-150	10	11
200	6	7

BODY TEST 1.5 X PN

FACE TO FACE DIMENSIONS ACCORDING **WORLD-VALVE STANDARD**