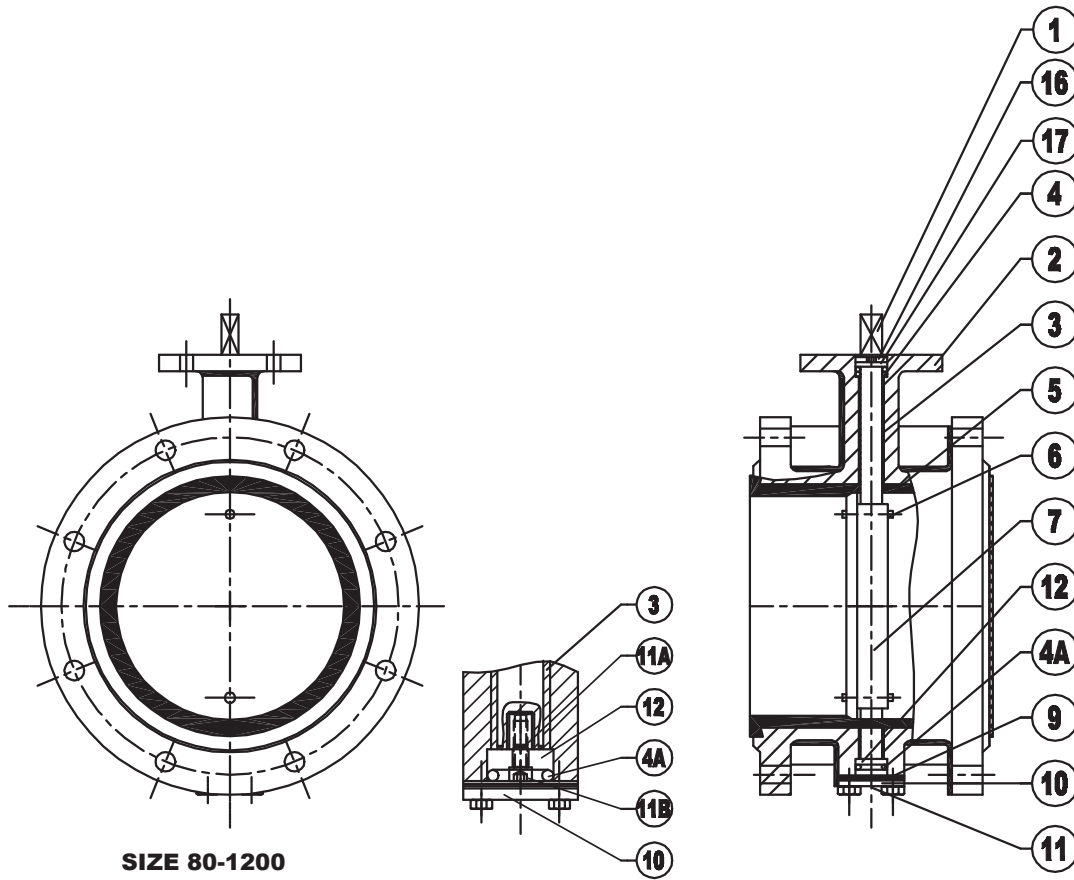


WVFL-EE-F4

DOUBLE FLANGED TYPE - SINGLE ECCENTRIC DISC



World-Valve
MANUFACTURED IN THE NETHERLANDS



SIZE 80-1200

1	AS	SHAFT	SPINDEL	HUSILLO
2	AFSLUITERHUIS	BODY	GEHÄUSE	CAJA
3	LAGERBUS	BEARING	LAGERBUCHSE	COJINETTE
4	O-RING	O-RING	O-RING	ANILLO-O
4A	O-RING	O-RING	O-RING	ANILLO-O
5	VOERING	LINER	FUTTER	MANQUITO
6	PEN	PIN	STIFT	CLAVIJA
7	KLEP	DISC	KLAPPENSCHIEBE	VALVULA
8	AS	SHAFT	SPINDEL	HUSILLO
9	PAKKING	PACKING	PACKUNG	EMPAQUETADURA
10	ACHTERPLAAT	COVER PLATE	LAGERDECKEL	TAPA
11	BOUT	BOLT	SCHRAUBE	PERNO
11A	BOUT	BOLT	SCHRAUBE	PERNO
11B	BOUT	BOLT	SCHRAUBE	PERNO
12	DRUKLAGER	THRUST BEARING	DRUCKLAGER	COJINETTE
16	BORGRING	LOCK WASHER	SICHERUNGSRING	ANILLO DE SOJECION
17	RING	RING	RING	ILAVE

FLANGE CONNECTION
DIN-PN 6/10/16
ANSI-CLASS 125/150
JIS-5/10K
JIS-16K
WHEN REQUESTED

FIGURE: MATERIAL COMBINATION				ONLY SIZE 250-1200
TYPE	B	C	D	X
BODY	STANDARD DUCTILE IRON GGG-40			
DISC	AL.BRONZE	AISI-316	AL.BRONZE	GGG-40
SHAFT	AISI-316	AISI-316	AL.BRONZE	AISI-304
PINS	STANDARD DUPLEX			
LINER	STANDARD BUNA-N OR EPDM			

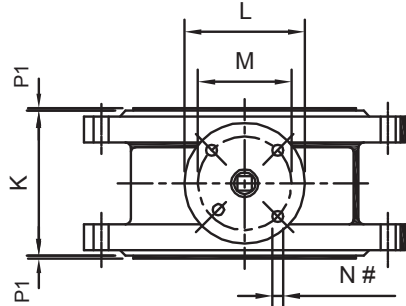
WHEN REQUESTED					
BODY	B-AL.BRONZE	A-AISI-304 C-AISI-316	S-RST- 37/2 G-GSC-25	K-SILUMIN	
DISC	J-DUPLEX	H-HASTELLOY			
SHAFT AND PINS	M-MONEL K-500	H-HASTELLOY	J-DUPLEX		
LINER	V-VITON	H-HYPALON	S-SILICONE	N-NITRIL FOOD	U-VULKOLAN

TOPFLANGE ACC. ISO-5211

FACE TO FACE DIMENSIONS ACCORDING INTERNATIONAL STANDARDS

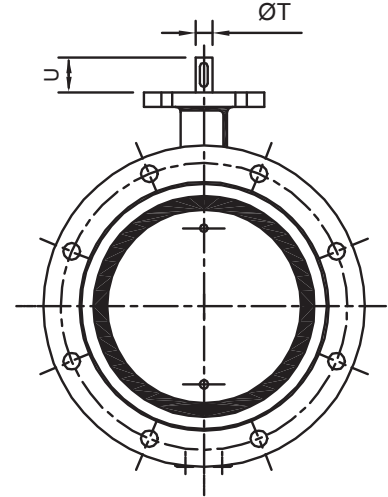
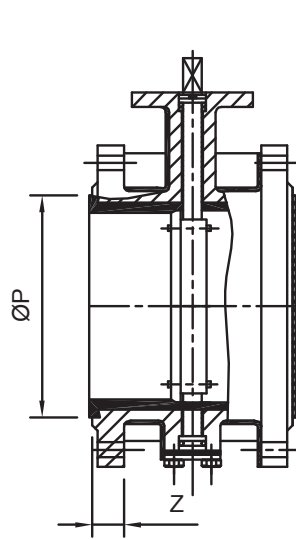
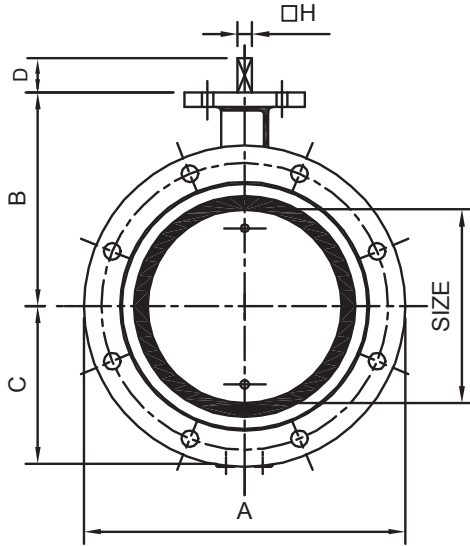
WVFL-EE-F4

DOUBLE FLANGED TYPE - SINGLE ECCENTRIC DISC



STANDARD
SIZE 80-300
SQUARE SHAFT

STANDARD
SIZE 350-1200
ROUND SHAFT
SIZE 250-1200
2x KEYWAY 180°



DIMENSIONS

SIZE mm	SIZE inch	A	B	C	D	H	K	L	M	N (#)	P	P1	T	U	Z	Kg
80	3	200	144	88	37	12	180	90	66	9 (4)	120	1.5	16	40	23	18
100	4	220	154	98	37	12	190	90	66	9 (4)	140	1.5	16	40	23	20
125	5	250	184	114	37	16	200	110	80	11 (4)	170	2	20	40	26	28
150	6	285	194	124	37	16	210	110	80	11 (4)	198	2	20	40	26	30
200	8	340	229	180	37	16	230	130	80	11 (4)	250	2	22	40	31	41
250	10	405	261	190	37	24	250	175	135	14 (4)	308	3	30	50	31	74
300	12	460	286	220	37	24	270	175	135	14 (4)	358	3	30	50	31	86
350	14	520	322	260	-	-	290	175	135	14 (4)	418	3	35	50	31	106
400	16	580	352	280	-	-	310	175	135	14 (4)	468	3	40	60	33	120
450	18	640	380	325	-	-	330	175	135	14 (4)	518	3	45	60	35	150
500	20	715	420	340	-	-	350	175	135	14 (4)	568	3	45	60	35	220
600	24	840	468	425	-	-	390	210	165	22 (4)	668	3	60	70	35	300
700	28	910	533	464	-	-	430	300	254	18 (8)	778	3	70	85	40	380
800	32	1025	642	539	-	-	470	350	298	22 (8)	885	3	80	85	40	790
900	36	1125	670	580	-	-	510	350	298	22 (8)	985	3	90	100	42	1000
1000	40	1255	746	646	-	-	550	350	298	22 (8)	1090	3	90	100	50	1100
1200	48	1485	841	737	-	-	630	415	356	32 (8)	1310	3	110	105	50	1290

M = TOPFLANGE SIZE 600-1200 ACC. ISO-5211
K = FACE TO FACE ACC. DIN-3202 F4 (ISO SERIES 14) (BS-LONG)
STANDARD - ONE PIECE SHAFT

(#) = NUMBER OF HOLES

PRESSURE TABLE

STANDARD DELIVERY			WHEN REQUESTED		
STANDARD WORKING/TESTPRESSURE			MAXIMUM WORKING/TESTPRESSURE		
SIZE mm	WP ΔP-BAR	TP ΔP-BAR	SIZE mm	WP ΔP-BAR	TP ΔP-BAR
80-1200	10	11	80-1200	16	18

BODY TEST 1.5 X PN

FACE TO FACE DIMENSIONS ACCORDING INTERNATIONAL STANDARDS