

SIZE 80-1200

1	AS	SHAFT	SPINDEL	HUSILLO
2	AFSLUITERHUIS	BODY	GEHÄUSE	CAJA
3	LAGERBUS	BEARING	LAGERBUCHSE	COJINETTE
4	O-RING	O-RING	O-RING	ANILLO-O
4A	O-RING	O-RING	O-RING	ANILLO-O
5	AFDICHTING	SEAT	DICHTUNG	MANQUITO
6	PEN	PIN	STIFT	CLAVIJA
7	KLEP	DISC	KLAPPENSCHIEBE	VALVULA
8	AS	SHAFT	SPINDEL	HUSILLO
9	PAKKING	PACKING	PACKUNG	EMPAQUETADURA
10	ACHTERPLAAT	COVER PLATE	LAGERDECKEL	TAPA
11	BOUT	BOLT	SCHRAUBE	PERNO
11A	BOUT	BOLT	SCHRAUBE	PERNO
11B	BOUT	BOLT	SCHRAUBE	PERNO
12	DRUKLAGER	THRUST BEARING	DRUCKLAGER	COJINETTE
16	BORGRING	LOCK WASHER	SICHERUNGSRING	ANILLO DE SOJECION
17	RING	RING	RING	ILAVE
19	PAKKINGDRUKKER	GLAND	STOPFBUCHSENBRILLE	CASQUILLO PRESAETOP
21	KLEMRING	CLAMPING RING	KLEMMRING	ANILLO DE RETENIDA
22	BOUT	BOLT	SCHRAUBE	PERNO
23	PAKKING	PACKING	PACKUNG	EMPAQUETADURA
26	BRUGSTUK	BRACKET	ZWISCHENSTÜCK	PIEZA INTERMEDIA

FLANGE CONNECTION	
DIN-PN 6/10/16	
ANSI-CLASS 125/150	
JIS-5/10	
JIS-16K	
WHEN REQUESTED	

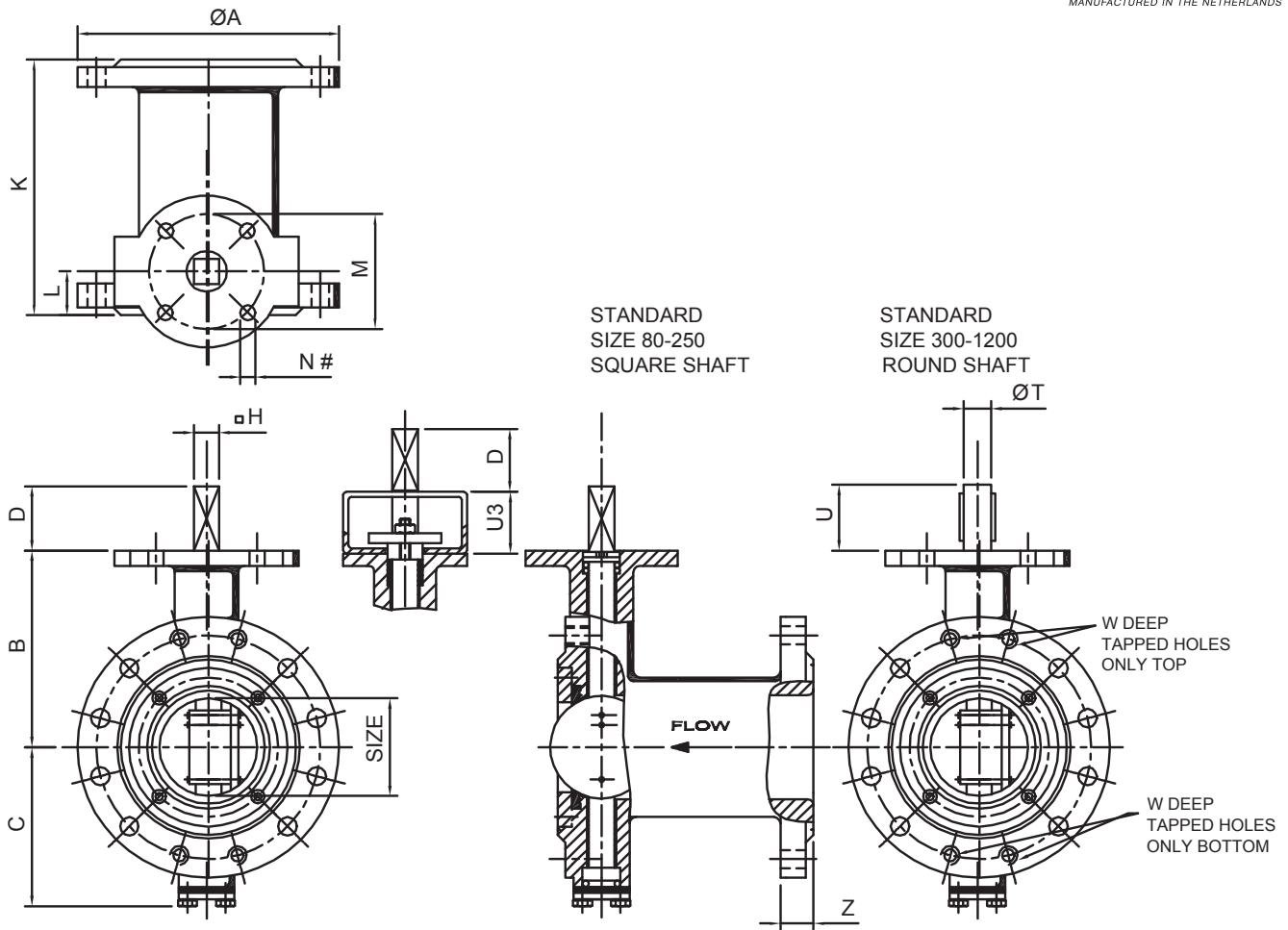
FIGURE: MATERIAL COMBINATION		ONLY SIZE 300-1200		
TYPE	B	C	D	X
BODY	STANDARD DUCTILE IRON GGG-40			
DISC	AL.BRONZE	AISI-316	AL.BRONZE	GGG-40
SHAFT	AISI-316	AISI-316	AL.BRONZE	AISI-304
SHAFT SEAL	STANDARD BUNA-N OR VITON			
PINS	STANDARD DUPLEX			
SEAT	STANDARD BUNA-N OR EPDM			

WHEN REQUESTED					
BODY	B-AL.BRONZE	A-AISI-304 C-AISI-316	S-RST-37/2 G-GS-C25	K-SILUMIN	
DISC	J-DUPLEX	H-HASTELLOY			
SHAFT PACKING	R-GRAFOIL	T-PTFE			
SHAFT AND PINS	M-MONEL K-500	H-HASTELLOY	J-DUPLEX		
SEAT	V-VITON S-SILICONE	FIRESAFE/DESIGN F-PTFE/INCONEL	METAL-SEAT I-INCONEL	K-PTFE+AISI-316	T-PTFE MAX SIZE 900

TOPFLANGE ACC. ISO-5211

WVFL-NOVA

DOUBLE FLANGED TYPE - DOUBLE ECCENTRIC - RENEWABLE SEAT



DIMENSIONS

SIZE mm	SIZE inch	A	B	C	D	H	K	L	M	N (#)	T	U	U3	Z	W	Kg
80	3	200	155	75	37	16	180	32	80	11 (4)	20	40	100	22	20	18
100	4	220	164	91	37	16	190	32	80	11 (4)	20	40	100	22	20	20
125	5	250	196	107	37	16	200	35	80	11 (4)	20	40	100	26	22	28
150	6	285	206	120	37	16	210	38	80	11 (4)	25	50	100	26	22	30
200	8	340	241	152	37	16	230	44	80	11 (4)	25	50	100	30	24	41
250	10	405	285	240	37	24	250	57	135	14 (4)	30	50	100	30	26	74
300	12	460	305	260	-	-	270	57	135	14 (4)	40	60	100	30	26	86
350	14	520	345	290	-	-	290	63	135	14 (4)	40	60	100	33	28	106
400	16	580	380	325	-	-	310	70	165	22 (4)	50	60	100	35	30	120
450	18	640	400	345	-	-	330	76	165	22 (4)	50	60	100	36	30	150
500	20	715	455	380	-	-	350	76	165	22 (4)	55	70	100	36	32	220
600	24	840	525	445	-	-	390	86	254	18 (8)	70	85	200	40	38	300
700	28	910	576	490	-	-	430	94	298	22 (8)	80	85	200	40	38	380
800	32	1025	655	530	-	-	470	94	298	22 (8)	80	85	200	42	38	790
900	36	1125	705	570	-	-	510	99	298	22 (8)	100	105	200	42	38	1000
1000	40	1255	780	640	-	-	550	99	298	22 (8)	100	105	200	45	40	1100
1200	48	1485	890	760	-	-	630	112	356	32 (8)	110	105	200	50	40	1290

WHEN REQUESTED: BI-DIRECTIONAL SHUT OFF
M = TOPFLANGE SIZE 400-1200 ACC. ISO-5211
STANDARD: TAPPED HOLES
K = FACE TO FACE ACC. DIN-3202 F4 (ISO SERIES 14) (BS-LONG)
(#) = NUMBER OF HOLES

STANDARD WORK/TESTPRESSURE (LOOK AT OUR TYPE: WVTB-NOVA)

FACE TO FACE DIMENSIONS ACCORDING **INTERNATIONAL STANDARDS**