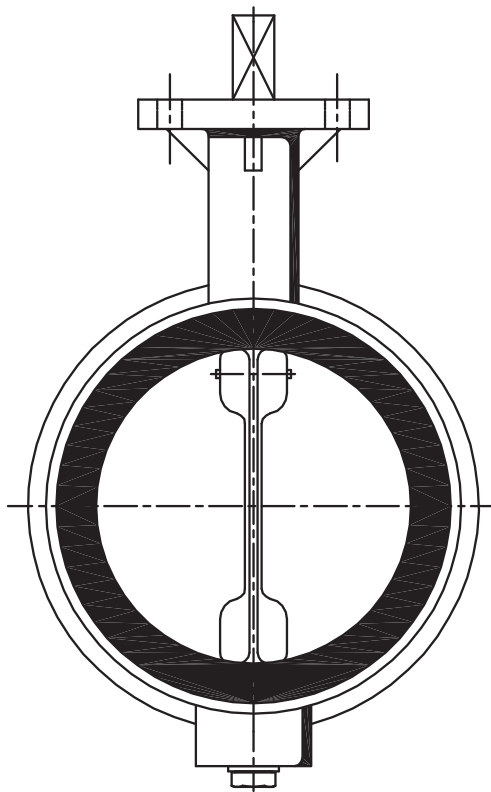
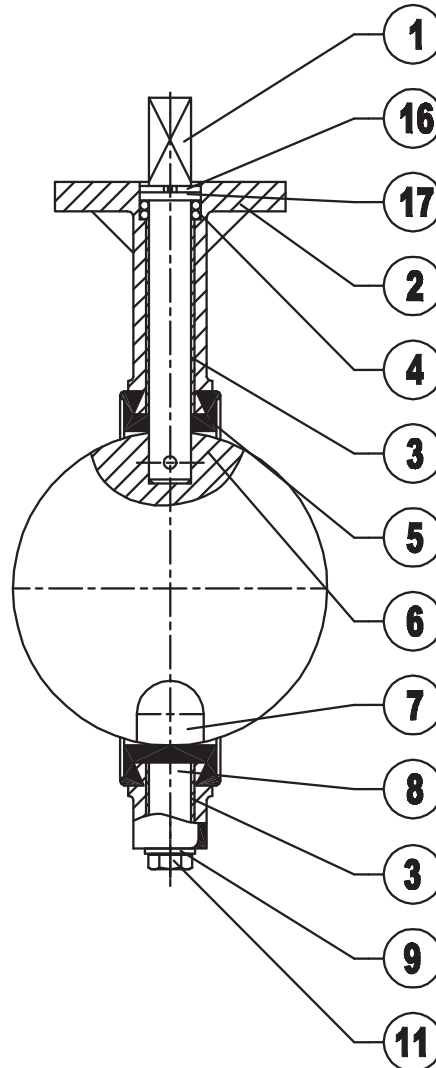


WVTB-70-1

WAFER TYPE



SIZE 50-500



1	AS	SHAFT	SPINDEL	HUSILLO
2	AFSLUITERHUIS	BODY	GEHÄUSE	CAJA
3	LAGERBUS	BEARING	LAGERBUCHSE	COJINETTE
4	O-RING	O-RING	O-RING	ANILLO-O
5	VOERING	LINER	FUTTER	MANQUITO
6	PEN	PIN	STIFT	CLAVIJA
7	KLEP	DISC	KLAPPENSCHIEBE	VALVULA
8	AS	SHAFT	SPINDEL	HUSILLO
9	PAKING	PACKING	PACKUNG	EMPAQUETADURA
10	ACHTERPLAAT	COVER PLATE	LAGERDECKEL	TAPA
11	BOUT	BOLT	SCHRAUBE	PERNO
12	DRUKLAGER	THRUST BEARING	DRUCKLAGER	COJINETTE
16	BORGRING	LOCK WASHER	SICHERUNGSRING	ANILLO DE SOJECION
17	RING	RING	RING	ILAVE

FLANGE CONNECTION
DIN-PN6/10/16
ANSI-CLASS-125/150
JIS-5/10K

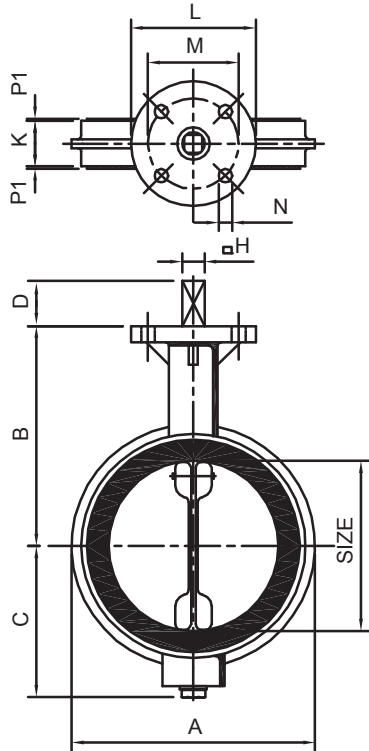
FIGURE: MATERIAL COMBINATION				ONLY SIZE 250-500
TYPE	B	C	D	X
BODY	STANDARD DUCTILE IRON GGG-40			
DISC	AL.BRONZE	AISI-316	AL.BRONZE	GGG-40
SHAFT	AISI-316	AISI-316	AL.BRONZE	AISI-304
PINS	STANDARD DUPLEX			
LINER	STANDARD BUNA-N OR EPDM			

WHEN REQUESTED					
BODY	B-AL.BRONZE	A-AISI-304 C-AISI-316	S-RST- 37/2 G-GSC-25	K-SILUMIN	J-DUPLEX
DISC	J-DUPLEX	H-HASTELLOY			
SHAFT AND PINS	M-MONEL K-500	H-HASTELLOY	J-DUPLEX		
LINER	V-VITON	H-HYPALON	B-SILICONE	N-NITRIL FOOD	U-VULKOLAN
TOPFLANGE ACC. ISO-5211					

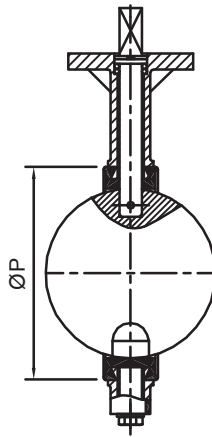
FACE TO FACE DIMENSIONS ACCORDING **WORLD-VALVE STANDARD**

WVTB-70-1

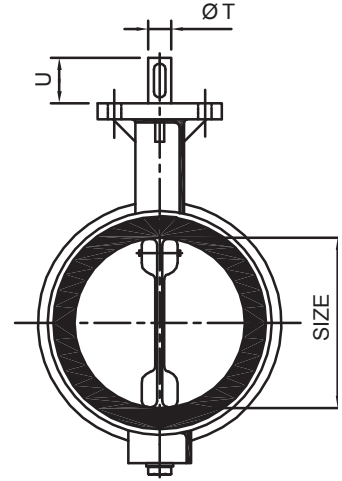
WAFER TYPE



STANDARD
SIZE 50-300
SQUARE SHAFT



STANDARD
SIZE 350-500
ROUND SHAFT



SIZE 250-500
2x KEYWAY 180°

DIMENSIONS

SIZE mm	SIZE inch	A	B	C	D	H	K	L	M	N	P	P1	T	U	Kg
50	2	105	128	70	37	12	35	90	66	9	85	1.5	16	40	3
65	2.5	125	136	80	37	12	35	90	66	9	100	1.5	16	40	3
80	3	140	144	88	37	12	35	90	66	9	115	1.5	16	40	4
100	4	160	154	98	37	12	35	90	66	9	135	1.5	16	40	4
125	5	190	184	114	37	16	40	110	80	11	165	2	20	40	5
150	6	215	194	124	37	16	40	130	80	11	190	2	20	40	6
175	7	245	206	145	37	16	40	110	80	11	215	2	20	40	8
200	8	270	229	180	37	16	50	130	80	11	240	2	22	40	12
250	10	326	261	190	37	24	65	175	135	14	295	3	30	50	21
300	12	375	286	220	37	24	65	175	135	14	345	3	30	50	27
350	14	435	322	260	-	-	65	175	135	14	400	3	35	50	37
400	16	485	352	280	-	-	75	175	135	14	440	3	40	60	45
450	18	535	380	325	-	-	75	175	135	14	490	3	45	60	70
500	20	590	420	340	-	-	75	175	135	14	550	3	45	60	90

K = FACE TO FACE ACC. WORLD-VALVE STANDARD

PRESSURE TABLE

STANDARD DELIVERY			WHEN REQUESTED		
WORKING/TESTPRESSURE			WORKING/TESTPRESSURE		
SIZE mm	WP ΔP-BAR	TP ΔP-BAR	SIZE mm	WP ΔP-BAR	TP ΔP-BAR
50-150	10	11	50-150	16	18
175-500	6	7	175-300	10	11

BODY TEST 1.5 X PN

FACE TO FACE DIMENSIONS ACCORDING WORLD-VALVE STANDARD