

BVE - Ball valve (stainless steel) 1/4"-4"

Description

BVE22 Stainless steel ball valve PN63 with two-piece body, full bore with hand lever

BVA22 Stainless steel ball valve PN63 with two-piece body, full bore, top flange for mounting of actuator

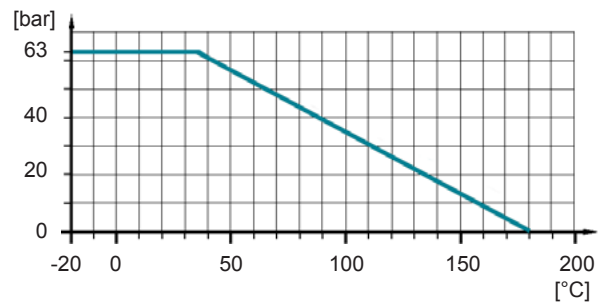
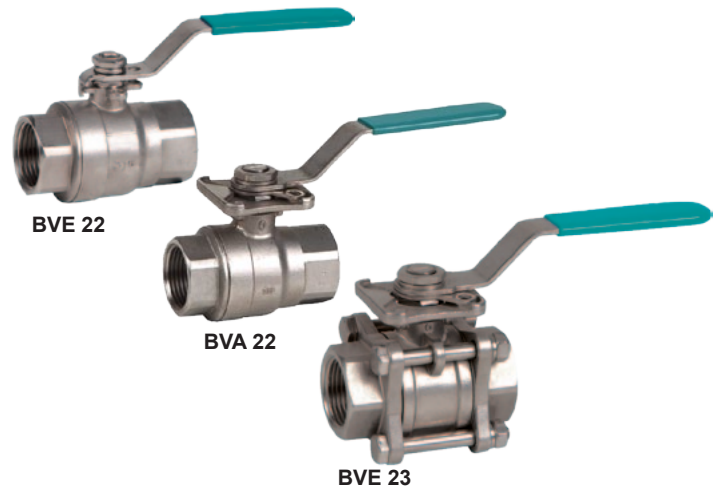
BVE23 Stainless steel ball valve PN63 with 3-piece body, full bore, top flange for mounting of actuator

Product features

- Connection BVE22 Thread
BVA22 Thread
BVE23 Thread / welding ends
- Max. working pressure 63 bar
- Temperature range BVE22: -20°C ÷ 180°C, BVE23: -20°C ÷ 200°C

Pressure / temperature diagram

BVE23/BVA22: For temperatures >100°C a mounting bracket with adapter is mounted between ball valve and actuator.



Type code

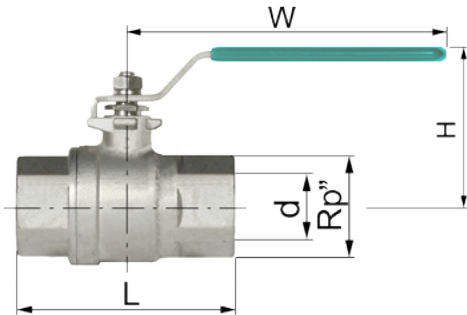
| BVE 22 FT . 014 . SST | | | | |
|-----------------------|---------|---|---|---|
| 1 | 2 | 3 | 4 | 5 |
| 1 Type | BVE | | | ball valve with handlever |
| 2 Construction | 22 | | | 2/2 ways, two-piece body |
| 3 Bore, connection | F | | | full bore |
| | T | | | threaded connection DIN EN 10226-1 (DIN 2999) |
| 4 Size | 014-300 | | | 1/4" - 3" |
| 5 Materials | S | | | Body stainless steel |
| | S | | | Ball stainless steel |
| | T | | | Seat ring |

| BVA 22 FT . 014 . SST | | | | |
|-----------------------|---------|---|---|---|
| 1 | 2 | 3 | 4 | 5 |
| 1 Type | BVA | | | Ball valve with top flange |
| 2 Construction | 22 | | | 2/2 ways, two-piece body |
| 3 Bore, connection | F | | | Full bore |
| | T | | | Threaded ends DIN EN 10226-1 (DIN 2999) |
| 4 Size | 014-200 | | | 1/4" - 2" |
| 5 Materials | S | | | Body stainless steel |
| | S | | | Ball stainless steel |
| | T | | | Seat ring |

| BVE 23 F T . 014 . SST | | | | | |
|------------------------|---------|---|---|---|---|
| 1 | 2 | 3 | 4 | 5 | 6 |
| 1 Type | BVE | | | | Ball valve with top flange |
| 2 Construction | 23 | | | | 2/2 ways, 3-piece body |
| 3 Bore | F | | | | Full bore |
| 4 Connection | T | | | | Threaded ends DIN EN 10226-1 (DIN 2999) |
| | B | | | | Butt weld ends ANSI B16.25 |
| | S | | | | Socket weld ends ANSI B16.11 |
| 5 Size | 014-400 | | | | 1/4" - 4" |
| 6 Materials | S | | | | Body stainless steel |
| | S | | | | Ball stainless steel |
| | T | | | | Seat ring |

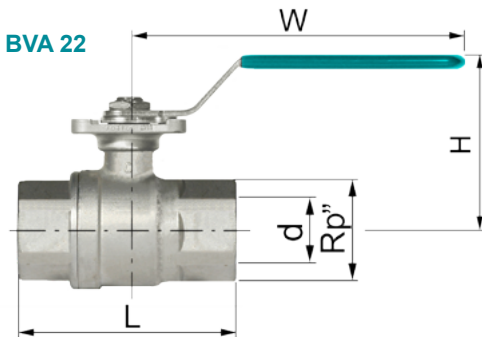
Dimensions

BVE 22



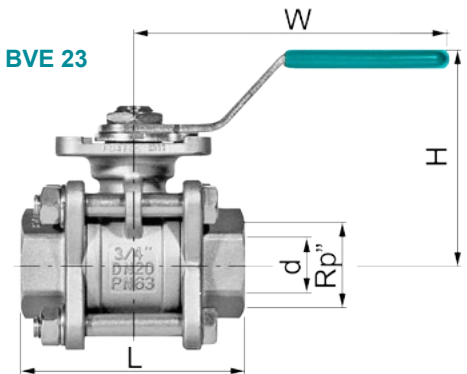
| Rp" | d | L | H | W | kv[m ³ /h] | [kg] |
|-------|------|-----|------|-----|-----------------------|------|
| 1/4 | 11,0 | 50 | 50 | 104 | 6 | 0,21 |
| 3/8 | 12,7 | 50 | 50 | 104 | 10 | 0,20 |
| 1/2 | 15,0 | 55 | 51,5 | 104 | 24 | 0,24 |
| 3/4 | 20,6 | 70 | 62 | 122 | 43 | 0,44 |
| 1 | 25,4 | 83 | 65 | 122 | 83 | 0,61 |
| 1 1/4 | 31,8 | 91 | 82 | 180 | 130 | 1,08 |
| 1 1/2 | 38,1 | 103 | 88 | 205 | 205 | 1,54 |
| 2 | 50,8 | 120 | 106 | 219 | 340 | 2,65 |
| 2 1/2 | 65,0 | 152 | 119 | 240 | 520 | 4,71 |
| 3 | 80,0 | 172 | 135 | 275 | 1100 | 7,29 |

BVA 22

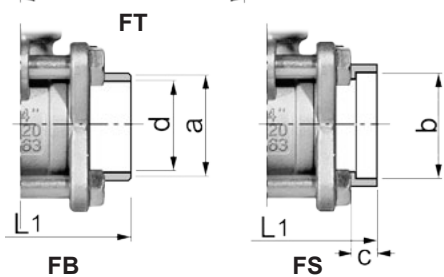


| Rp" | d | L | H | W | ISO 5211 | kv[m ³ /h] | [kg] |
|-------|------|------|-----|-----|----------|-----------------------|------|
| 1/4 | 11,0 | 50 | 62 | 112 | F03 | 6 | 0.30 |
| 3/8 | 12,7 | 50 | 62 | 112 | F03 | 10 | 0.30 |
| 1/2 | 15,0 | 55 | 63 | 112 | F04 | 24 | 0.35 |
| 3/4 | 20,6 | 70.5 | 70 | 138 | F04/F05 | 43 | 0.56 |
| 1 | 25,4 | 83 | 70 | 138 | F04/F05 | 83 | 0.78 |
| 1 1/4 | 31,8 | 91 | 88 | 160 | F05/F07 | 130 | 1.35 |
| 1 1/2 | 38,1 | 103 | 94 | 205 | F05/F07 | 205 | 1.90 |
| 2 | 50,8 | 120 | 100 | 205 | F05/F07 | 340 | 2.83 |

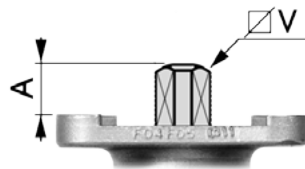
BVE 23



| Rp" | d | L | L1 | H | W | a | b | c | FT [kg] | FB [kg] | FS [kg] | kv[m ³ /h] |
|-------|------|------|------|-----|-----|------|-------|----|---------|---------|---------|-----------------------|
| 1/4 | 11 | 47,6 | 47,6 | 60 | 112 | 13 | 14,1 | 10 | 0,39 | 0,37 | 0,38 | 6 |
| 3/8 | 12,7 | 47,6 | 47,6 | 60 | 112 | 14,7 | 17,6 | 10 | 0,38 | 0,37 | 0,38 | 10 |
| 1/2 | 15 | 56 | 55 | 60 | 112 | 17 | 21,7 | 10 | 0,44 | 0,44 | 0,44 | 24 |
| 3/4 | 20 | 73 | 73 | 70 | 138 | 22 | 27,1 | 14 | 0,82 | 0,81 | 0,82 | 43 |
| 1 | 25 | 82 | 81 | 70 | 138 | 28 | 33,8 | 14 | 1,02 | 0,99 | 1,02 | 83 |
| 1 1/4 | 32 | 91 | 91 | 88 | 160 | 35 | 42,6 | 15 | 1,79 | 1,77 | 1,78 | 130 |
| 1 1/2 | 40 | 104 | 103 | 94 | 205 | 43 | 48,7 | 15 | 2,46 | 2,35 | 2,47 | 205 |
| 2 | 50 | 120 | 120 | 100 | 205 | 54 | 61,1 | 19 | 3,47 | 3,28 | 3,40 | 340 |
| 2 1/2 | 65 | 155 | 155 | 150 | 330 | 69 | 73,8 | 21 | 8,50 | 8,55 | 8,80 | 520 |
| 3 | 80 | 182 | 182 | 165 | 330 | 87 | 89,8 | 24 | 12,40 | 11,85 | 12,35 | 1100 |
| 4 | 100 | 220 | 229 | 175 | 340 | 105 | 115,5 | 35 | 19,65 | 20,30 | 19,60 | 1820 |



BVA22 / BVE23



| Rp" | A | V | ISO 5211 |
|-------|----|----|----------|
| 1/4 | 10 | 9 | F03 |
| 3/8 | 10 | 9 | F03 |
| 1/2 | 11 | 9 | F03/F04 |
| 3/4 | 11 | 11 | F04/F05 |
| 1 | 11 | 11 | F04/F05 |
| 1 1/4 | 15 | 14 | F05/F07 |
| 1 1/2 | 15 | 14 | F05/F07 |
| 2 | 15 | 14 | F05/F07 |
| 2 1/2 | 19 | 17 | F07/F10 |
| 3 | 19 | 17 | F07/F10 |
| 4 | 19 | 17 | F07/F10 |

InterApp AG
 Grundstrasse 24
 CH-6343 Rotkreuz
 Phone +41 (0) 41 7982233
 Fax +41 (0) 41 7982234
 info@ch.interapp.net

InterApp Ges.m.b.H.
 Kolpingstrasse 19
 A-1230 Wien
 Phone +43 (0) 1 6162371-0
 Fax +43 (0) 1 6162371-99
 info@at.interapp.net

InterApp Italiana
 Via Gramsci 29
 I-20016 Pero (MI)
 Phone +39 02 339371
 Fax +39 02 33937200
 info@it.interapp.net

InterApp GmbH
 Schillerstrasse 50
 D-42489 Wülfrath
 Phone +49(2058) 8909250
 Fax +49(2058) 8909255
 info@de.interapp.net

AVK Válvulas S.A.
InterApp Válvulas S.A.
 Polígono Industrial Francoli, parcela 12
 E-46006 Tarragona
 Phone +34 977 543 008
 Fax +34 977 541 622
 avk@avkvalvulas.com

The technical data are noncommittal and do not assure you of any properties. Please refer to our general sales conditions. Modifications without notice.

© 2012 InterApp AG, all rights reserved