

BVT34, BVL34 - 3-way ball valve (stainless steel) Rp1/4" - 2"

Description

3-way stainless steel ball valve PN63, DN10-50 (1/4" - 2"), with reduced bore and top flange for mounting of actuator

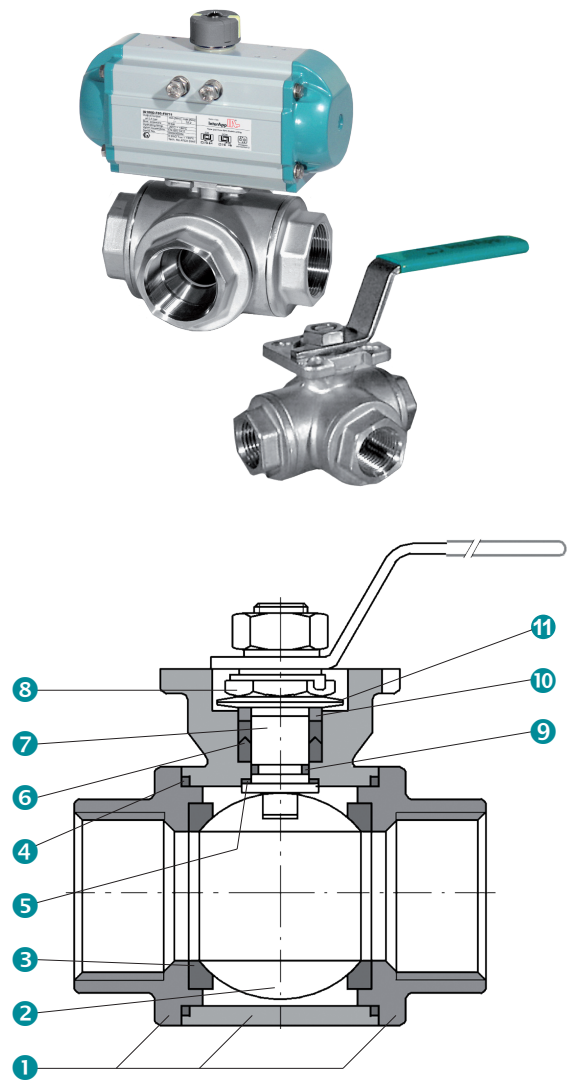
Product features

- Connection DIN EN 10226-1 (DIN 2999)
 - Max. working pressure 63 bar
 - Temperature range -10°C + 160°C, Versions for lower temperatures on request
- The ball valves BVT meet the safety requirements of the pressure Equipments Directive 97/23/EC (PED) appendix 1 for fluids of the groups 1 and 2.

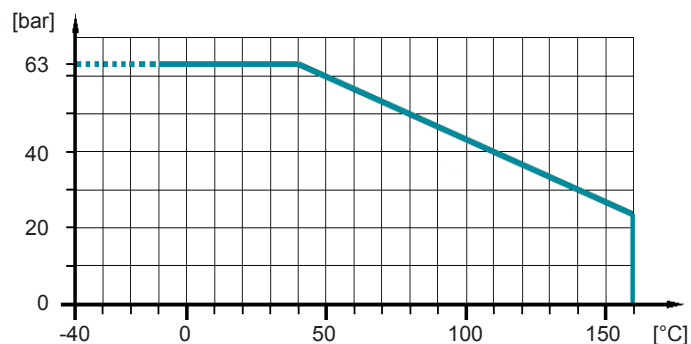


Construction

1	Body	CF8M (1.4408)
2	Ball	AISI 316 (1.4401)
3	Seat ring (4 pcs)	PTFE + 15% GF
4	Seal ring	PTFE
5	Washer	PTFE
6	Stem seal self-adjusting with disc spring	PTFE
7	Stem	AISI 316 (1.4401)
8	Gland nut	AISI 304 (1.4301)
9	Seal ring	Viton
10	Gland ring	AISI 304 (1.4301)
11	Bevel washer	Spring steel



Pressure / temperature diagram



For temperatures >100°C a mounting bracket with adapter is mounted between ball valve and actuator.

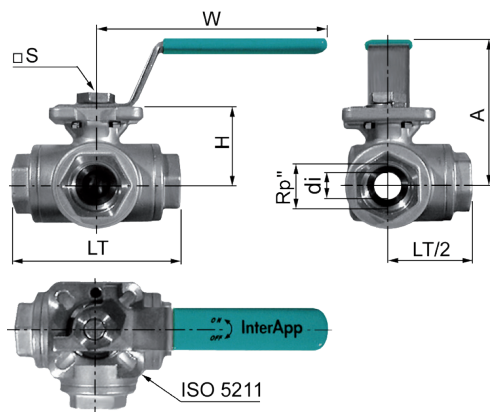
BVT34, BVL34 - 3-way ball valve (stainless steel) Rp1/4" - 2"

Type code

BVT	34	RT	014	SST
1	2	3	4	5

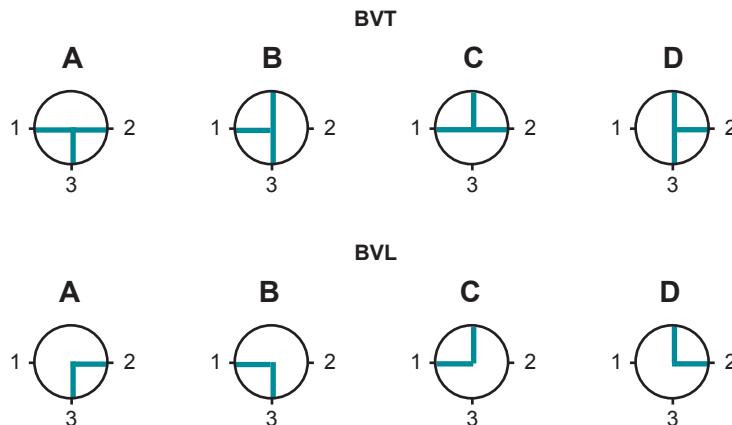
1 Type	BVT	ball valve with T-bore	
	BVL	ball valve with L-bore	
2 Construction	34	3 ways, 4-piece body	
3 Bore, connection	R	Reduced bore	
	T	Threaded connection	
4 Size	014-	Rp 1/4" -	
	200	Rp 2"	
5 Materials	S	Body stainless steel	CF8M (1.4408)
	S	Ball stainless steel	AISI 316 (1.4401)
	T	Seat ring	PTFE + 15% GF

Dimensions



	Rp"	DN	di	LT	H	S	A	W	ISO	kv[m³/h]	kg
BVT34RT.014.SST	¼	10	11,6	80	36	9	73	114	F03+04	2,29	0,5
BVT34RT.038.SST	¾	12	12,7	80	36	9	73	114	F03+04	4,75	0,5
BVT34RT.012.SST	½	15	12	80	36	9	73	114	F03+04	4,75	0,8
BVT34RT.034.SST	¾	20	15	87,5	42	11	78	133	F04+05	5,11	1,0
BVT34RT.100.SST	1	25	20	100	47	11	83	133	F04+05	11,8	1,5
BVT34RT.114.SST	1¼	32	25	123	52	11	92	187	F04+05	19,6	2,0
BVT34RT.112.SST	1½	40	32	142	58	11	98	187	F04+05	33,2	3,0
BVT34RT.200.SST	2	50	40	171	66	14	126	187	F05+07	53,7	5,0

Possible ball positions:



InterApp AG Grundstrasse 24 CH-6343 Rotkreuz Phone +41 (0) 41 7982233 Fax +41 (0) 41 7982234 info@ch.interapp.net	InterApp Germany AVK Mittelmann Armaturen Schillerstrasse 50 D-42489 Wülfrath Phone +49 (0) 2058 901 01 Fax +49 (0) 2058 901 110 info@avkmittelmann.com	InterApp Austria Kolpingstrasse 19 A-1230 Wien Phone +43 (0) 1 6162371-0 Fax +43 (0) 1 6162371-99 info@at.interapp.net	InterApp Italy Via Gramsci 29 I-20016 Pero (MI) Phone +39 02 339371 Fax +39 02 33937200 info@it.interapp.net	InterApp Válvulas Calderón de la Barca 12 E-28860 Paracuellos de Jarama Phone +34 (0) 91 6584360 Fax +34 (0) 91 6581430 info@es.interapp.net	AVK Válvulas Poligono Industrial Francolet, parcela 27 E-46006 Tarragona Phone +34 977 543 008 Fax +34 977 541 622 avk@avkvalvulas.com	InterApp Singapore 11, Changi North Street 1, #03-11 Singapore 498823 Phone +65 62141048 Fax +65 62140481 info@sg.interapp.net
---	---	--	--	--	---	--

The technical data are noncommittal and do not assure you of any properties. Please refer to our general sales conditions. Modifications without notice.
 © 2009 InterApp AG, all rights reserved