

INSTALLATION, OPERATION & MAINTENANCE MANUAL

MODEL **WS**



ORBINOX SPAIN Pol.Ind. s/n-20270 ANOETA. Tel:+34 943 698030 Fax:+34 943 653066 e-mail:orbinox@orbinox.com

ORBINOX CANADA, ORBINOX USA, ORBINOX COMERCIAL, ORBINOX UK, ORBINOX FRANCE, ORBINOX GERMANY,
ORBINOX INDIA, ORBINOX CHINA.

INDEX

	<u>Page</u>
0.- Description	2
1.- Handling	2
2.- Installation	3
3.- Actuators	5
4.- Maintenance	5
4.1.- Gland packing replacement	6
4.2.- Seal replacement.....	7
4.3.- Gasket replacement	7
4.4.- Lubrication	8
5.- Flush Ports	8
6.- Storage	8
7.- Parts list & drawing	9

0.- DESCRIPTION

The WS model fabricated knife gate is a uni-directional wafer valve designed for general industrial service applications (for all type of fluids).

The closed construction of the valve assures a tight seal to atmosphere for use with hazardous gases or steam, and reduces packing maintenance. It also reduces the torque required for valve operation.


The WS valve complies with the following European directives:

- **DIR 98/37/EC (machines)**
- **DIR 97/23/EC (PED)** Fluid: Group 1 (b), 2 (Cat. I, mod.A)

It may also comply with the directive:

- **DIR 94/9/EC (Explosive Atmospheres)**



The EX valve may comply with the directive regarding equipment and protective systems for their use in explosive atmospheres. In these cases, the logotype  shall appear on the identification label of the valve. This label shows the exact classification of the zone where the valve can be used. The user will be liable for its use in any other zone.

This directive only applies in the following atmospheric conditions:

$$0,8 \text{ bar} \leq P \leq 1,2 \text{ bar}$$

$$-20^{\circ}\text{C} < T < 60^{\circ}\text{C}$$

Any increase in temperature due to frictional warmth is negligible, since the relative speed of the moving parts is extremely low.

The risk analysis associated to this directive does not take into account the fluid that goes through the valve, even when such fluid produces an explosive atmosphere. The user must take into account the risks that the fluid generates, such as:

- heating of the valve surface.
- generation of electrostatic charges caused by displacement of the fluid.
- shock waves caused by the installation (water hammer), internal crashes generated by the pellets or the risks due to foreign bodies susceptible of being present in the installation.

1.- HANDLING

When handling an Orbinox valve please pay attention to the following points:



- **Do NOT attach lifting gear to the valve actuators or gate guards.** They are not designed to bear the weight, and could easily be damaged.
- **Do NOT lift the valve by the valve bore.**
This can cause damage to the seating surfaces and seals.

Ideally when using lifting gear to move an Orbinox valve, it should be supported by two or more eyebolts screwed into the tapped fixing holes in the valve body.

SAFETY WARNING:

- Check that the lifting gear is rated to carry the weight of the valve.
- Make sure the eyebolts have the same thread as the boltholes and that they are well secured.

During installation it is recommended to lift the valve via soft straps. These can be to the upper part of the valve body.

2.- INSTALLATION

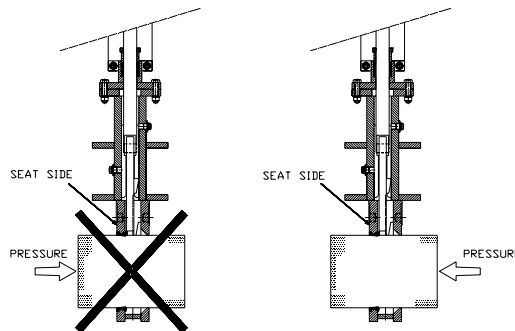


To avoid personal injury or damage to property from the release of process fluid:

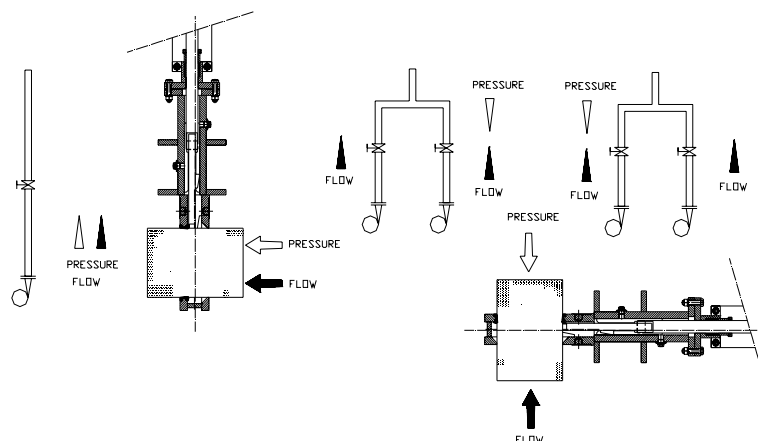
- Those in charge of handling and maintenance of the valve must be qualified and trained in valve operations.
- Use appropriate personal protection equipment (gloves, safety shoes, etc).
- Shut off all operating lines to the valve and place a warning sign.
- Isolate the valve completely from the process.
- Release process pressure.
- Drain the process fluid from the valve.
- According to **EN 13463-1 (15)**, during installation and maintenance operations, use hand tools (**non electric**) with Working Allowance.

Before installation, inspect the valve body and components for any damage that may have occurred during shipping or storage. Make sure the internal cavities within the valve body are clean. Inspect the pipeline and mating flanges, making sure the pipe is free of foreign material and that the flanges are clean.

The valve is unidirectional. It should be installed with pressure exerted against the seat. The words "SEAT SIDE" are marked on the valve body to indicate the position of the valve seat. Installation and the correct orientation with respect to the direction of the flow is the responsibility of the user.



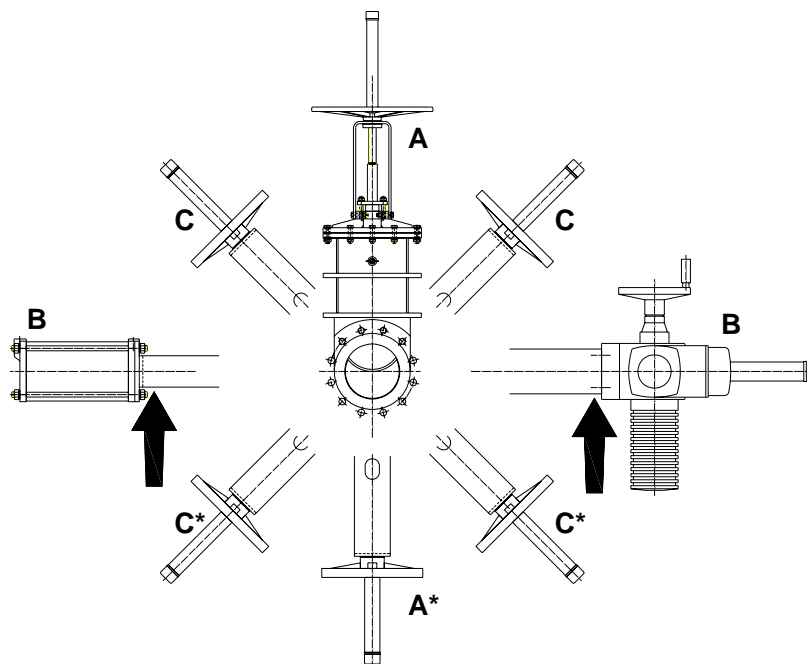
It should be noted that the direction of flow and differential pressure, do not always coincide.



Special care should be taken to maintain the correct distance between the flanges and to ensure that they are parallel to the valve body. Incorrect alignment of the valve can cause deformations, which can lead to difficulties in operation.

The valve can be mounted in any position with regard to the pipe. However, it is advisable to place it vertically in horizontal pipeline (A) if the installation allows it. (Please consult the technical department at Orbinox).

With larger diameters (> 300 mm), heavy actuators (pneumatic, electric, etc.), or with the valve installed horizontally (B) or at an angle (C) on a horizontal pipeline, the installation will require the construction of suitable supports. (See the following diagram and consult the technical department at Orbinox).



** For these positions please consult Orbinox.*

In vertical pipelines, the construction of suitable supports is always required (for further information please consult the technical department at Orbinox).

Once the valve is installed, test that the flanges have been fastened correctly and that all electrical and/or pneumatic connections have been properly made.



Where electric accessories are mounted on the valve (i.e. solenoid valves, electro-pneumatic positioners, etc.), or is in an ATEX zone, the corresponding earth connections must be made before it is put into operation.



The operation of automated valves is limited only with fitted gate covers.

First, operate the valve with no flow in the pipeline. Then test operation and valve seal with flow. It should be noted that the packing material might settle in shipping/storage, which can cause minor leakage. This can be remedied by tightening the gland follower (5) during installation.

The nuts shall be tightened gradually until the leakage stops. Check that there is no metal contact between the glandfollower (5) and the stem (6).

If the glandfollower nuts are pulled to hard, the force needed to operate the valve will increase, the valve function will be affected and the box packing lifetime will be shortened.
The table below shows the maximum torque value for tightening the glandfollower nuts.

DN	Torque (N.m)
50 - 100	20
125 - 200	30
250 - 1000	35

Once performance has been tested, the valve can be put into operation.



In an ATEX zone, the continuity between the body of the valve and the pipe must be checked (test in accordance with EN 12266-2 Standard, annex B, points B.2.2.2. and B.2.3.1).
It must also be verified that the pipe is connected to earth and that there is electrical conductivity between the two pipes (outlet/inlet).

3.- ACTUATORS

3.1.- Handwheel

To open the valve turn the handwheel (11) anticlockwise. To close turn the handwheel clockwise.

3.2.- Pneumatic

Valves are usually supplied with a double acting pneumatic actuator although, upon request, we can supply single-acting actuators. In either case the feed pressure can vary between 3,5 and 10 Kg/cm². However, the size of the actuator for each valve has been designed for a feed pressure of 6 Kg/cm².

It is essential for a good maintenance of the cylinder that air should be well dried, filtered and lubricated.

It is recommended to actuate the cylinder 3-4 times before the start up, once it is installed in the pipeline.

3.3.- Electric actuator

Depending on the type or make of the electric actuator, specific instructions (i.e. a manufacturer's manual) will be supplied.

4.- MAINTENANCE

The valve must not undergo any modifications without a previous agreement with ORBINOX. ORBINOX shall not be liable for any damages that may arise due to the use of non original parts or components



To avoid personal injury or damage to property from the release of process fluid:

- Those in charge of handling and maintenance of the valve must be qualified and trained in valve operations.
- Use appropriate personal protection equipment (gloves, safety shoes, etc).
- Shut off all operating lines to the valve and place a warning sign.
- Isolate the valve completely from the process.
- Release process pressure.
- Drain the process fluid from the valve.
- According to **EN 13463-1 (15)**, during installation and maintenance operations, use hand tools (**non electric**) with Working Allowance.



In an ATEX zone, there may be electrostatic charges in the internal parts of the valve. These electrostatic charges, caused by the evacuation of the fluid, may entail a risk of explosion. It is the responsibility of the user to take extreme precautions to minimize this risk.



Safety in an ATEX zone:

- The maintenance personnel must be made fully aware of the risks of explosion, and it is advisable that they receive specific training regarding ATEX.
- Should the fluid transported create an internal explosive atmosphere, the user must check periodically the correct water-tightness of the installation
- Clean the valve periodically to prevent dust accumulation.
- Assembly at the end of the line is not allowed.
- Avoid repainting the products supplied.

The only maintenance required is to change the gland packing (4) or the seal (3) if the valve is a resilient seated type.

The life of these elements will depend on the working conditions of the valve such as: pressure, temperature, abrasion, chemical action, number of operations, etc.

4.1. - Replacement of the gland packing (4):



We advise that the valve is depressurised prior to beginning any maintenance.

- 1) Open the valve fully, to tighten the stem against the stuffing box.
- 2) Remove gate guards (if the valve has them).
- 3) Loosen the nuts of the gland follower (5) and remove it. (Photo 1)
- 4) Remove the old packing (4) and clean the stuffing box.
- 5) Insert the new packing rings (4), making sure that the ring joints alternate.
- 6) Once the necessary packing rings (4) have been inserted, proceed with a steady initial tightening, of the gland follower (5). (Photo 1)
- 7) Remount the gate guards (if the valve has them).
- 8) Carry out some operations with a loaded circuit and then re-tighten the gland follower (5) to prevent leakage.



Photo 1

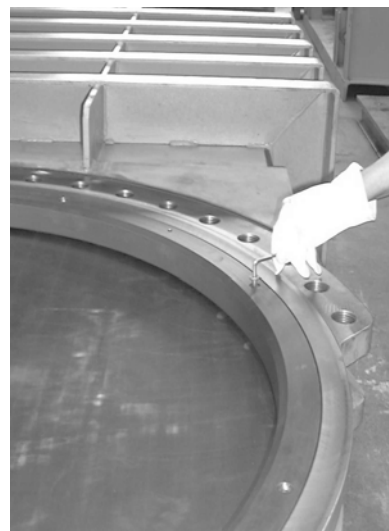


Photo 2

4.2. - Replacement of the seal (3) (only applicable to resilient seated valves):

- 1) Remove the valve from the pipeline.
- 2) Remove the seal retainer ring (10), which supports the seals (3). (Photo 2)
- 3) Remove the worn out seals (3) and clean the seal housing.
- 4) Once the new seal (3) has been cut according to size, insert it into the seat housing (making sure that the union of the seal is at the top).

Seal lengths

ND	50	65	80	100	125	150	200	250	300	350	400	450	500	600
Lengths (mm)	205	255	295	365	440	510	680	860	1020	1190	1350	1510	1630	2010

- 5) Insert the seal retainer ring (10) by hammering gently around the edge. (Photos 3)
- 6) Open and close the valve two or three times before returning it to the installation.

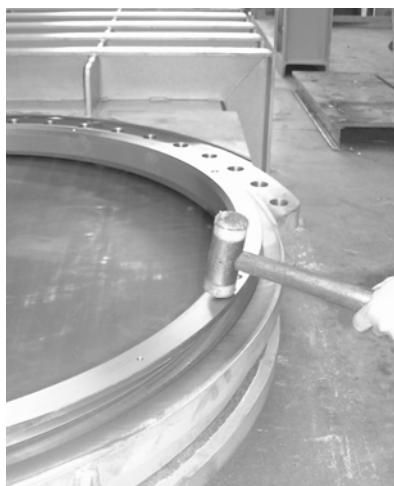


Photo 3



Photo 4

4.3. - Replacement of the gasket (15):

- 1) Remove the valve from the pipeline.
- 2) Loosen the nuts between the body (1) and the cover (14). (Photo 4)
- 3) Lift the cover (14), until the gate (2) is free. (Photo 5)
- 4) Change the gasket (15), between body (1) and cover (14). (Photo 5)
- 5) Remount the cover onto the valve (with the gate cleaned), and bolt it onto the body (1).
- 6) Open and close the valve two or three times before returning it to the installation.

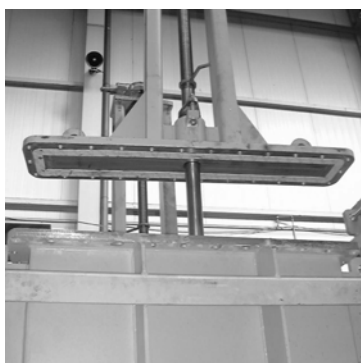


Photo 5

4.4. - Lubrication:

Twice a year, it is recommended to remove the protection cap (12) and fill up the stem protector (13) halfway with a calcium-based grease with the following characteristics: highly water resistant, low ash content, and excellent adherence.



After maintenance, and in an ATEX zone, it is obligatory to verify the electrical continuity between the pipe and the different valve components, such as the body, the gate, the supports,... (test in accordance with EN 12266-2 Standard, annex B, points B.2.2.2. and B.2.3.1).

5.- FLUSH PORTS

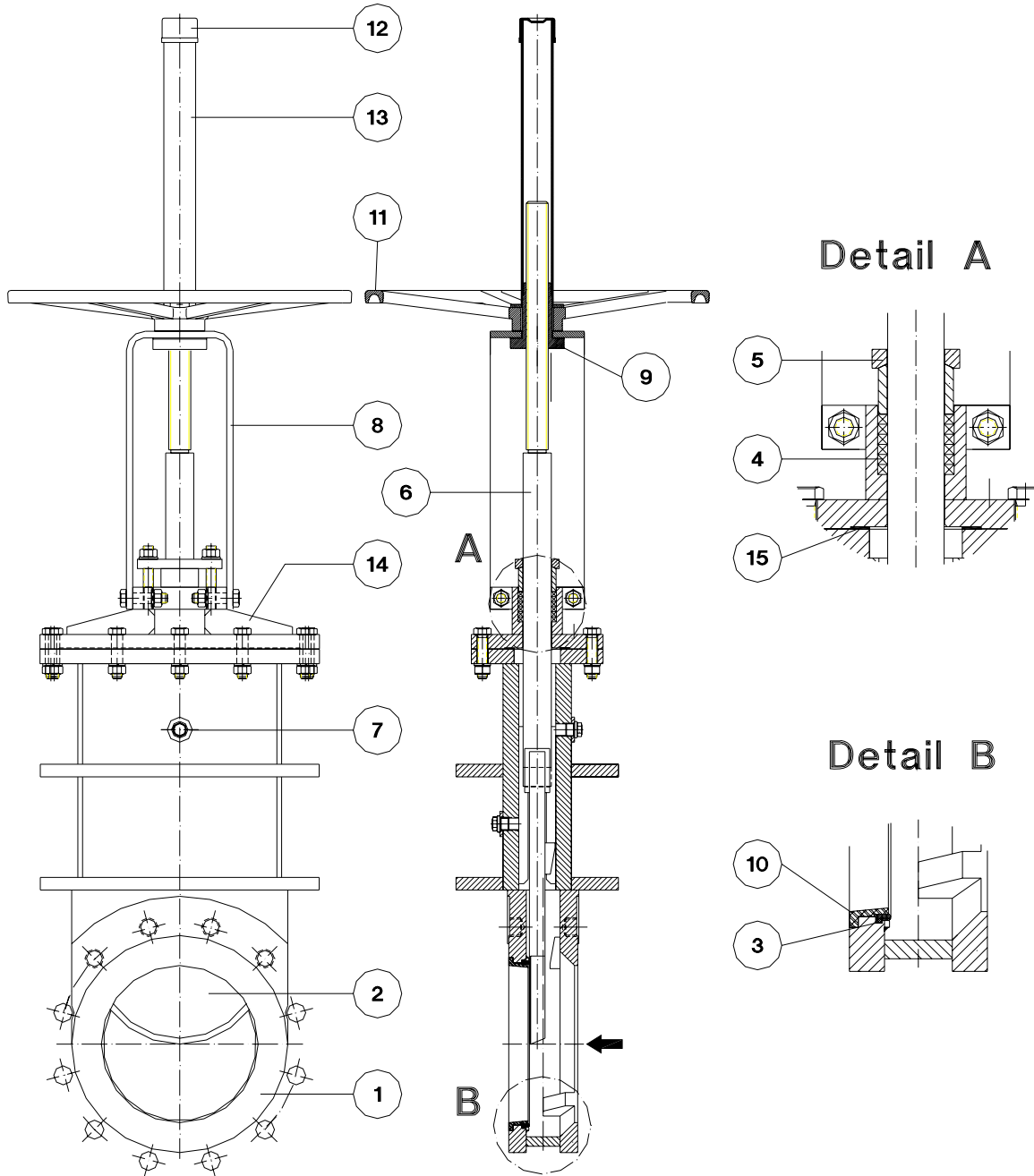
The valves come fitted with flush-ports (7) to allow connection to a cleaning system to flush the bonnet with water or air. The ports are plugged with threaded metal plugs. These can be removed for connection to a cleaning system, or for flushing the bonnet in the event of a blockage.

6.- STORAGE

For long periods it is recommended to store the valves in a well-ventilated room. Valves should not be exposed to temperatures higher than 30°C, as some soft seal materials can be damaged when exposed to higher temperatures.

If outdoor storage cannot be avoided, cover the valve and protect it from sources of heat or direct sunlight. Provide good ventilation to avoid moisture.

7.- PARTS LIST & DRAWINGS



- 1. - BODY
- 2. - GATE
- 3. - SEAL
- 4. - PACKING
- 5. - GLAND FOLLOWER
- 6. - STEM
- 7. - FLUSH-PORTS

- 8. - YOKE
- 9. - STEM NUT
- 10. - SEAL RETAINER RING
- 11. - HANDWHEEL
- 12. - CAP
- 13. - STEM PROTECTOR
- 14. - COVER
- 15. - GASKET